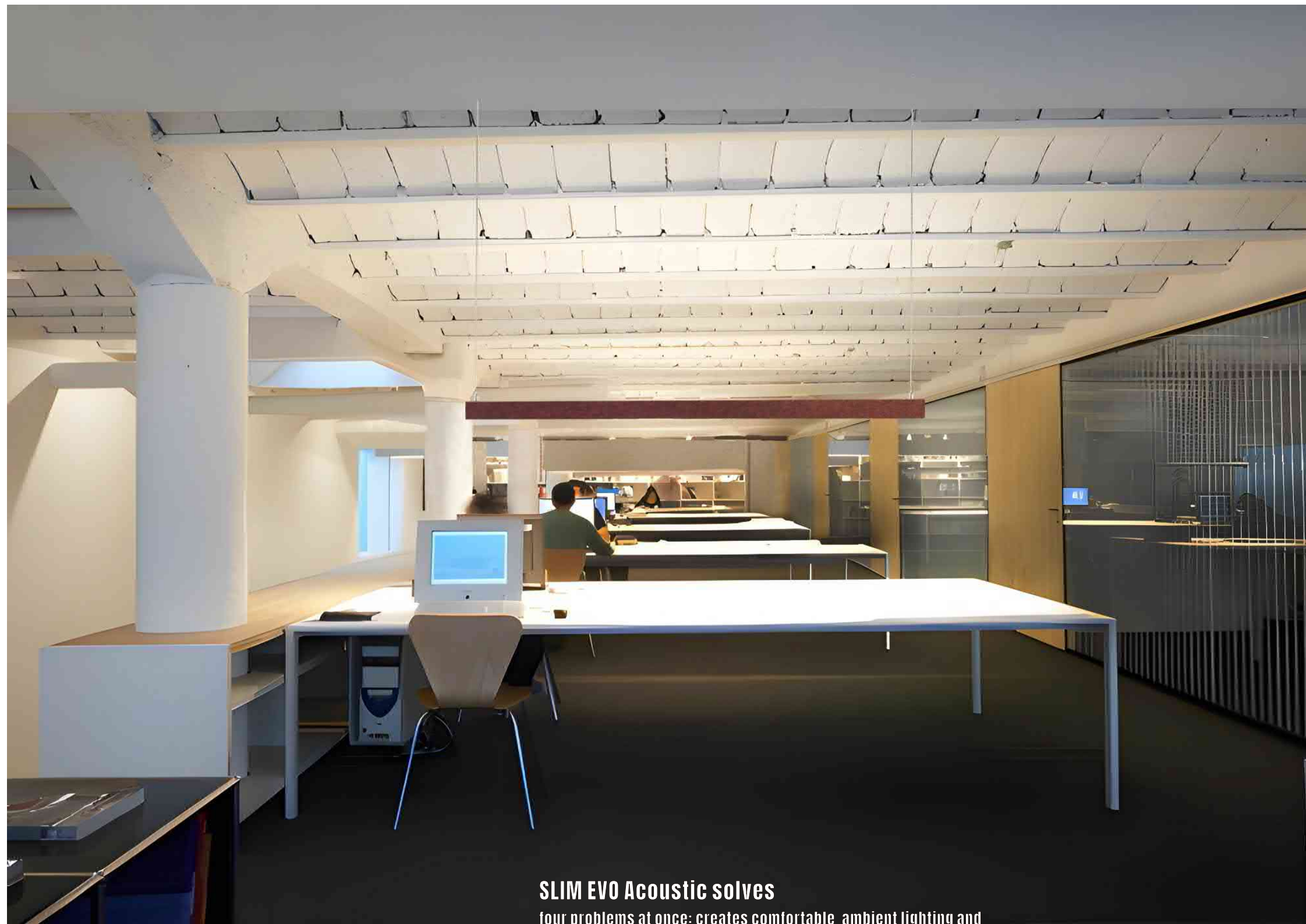
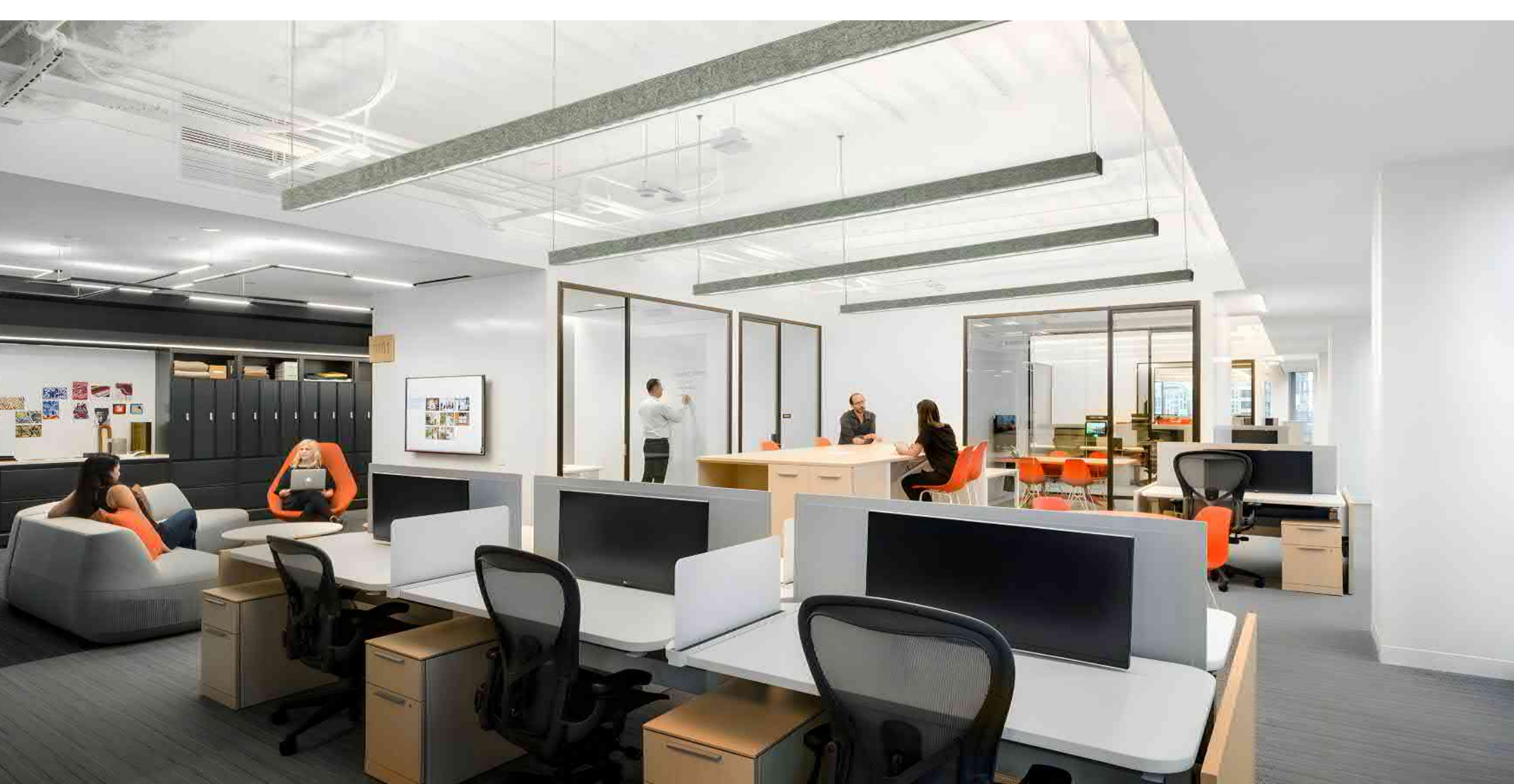


To us, good Luminarie is a matter of
**problem solving, performance,
durability, and aesthetics**



SLIM EVO Acoustic solves

four problems at once: creates comfortable ambient lighting and



Create more motivating and well-being office space



Minimalist design integrates into any office space



Match office interior design



Improve acoustic

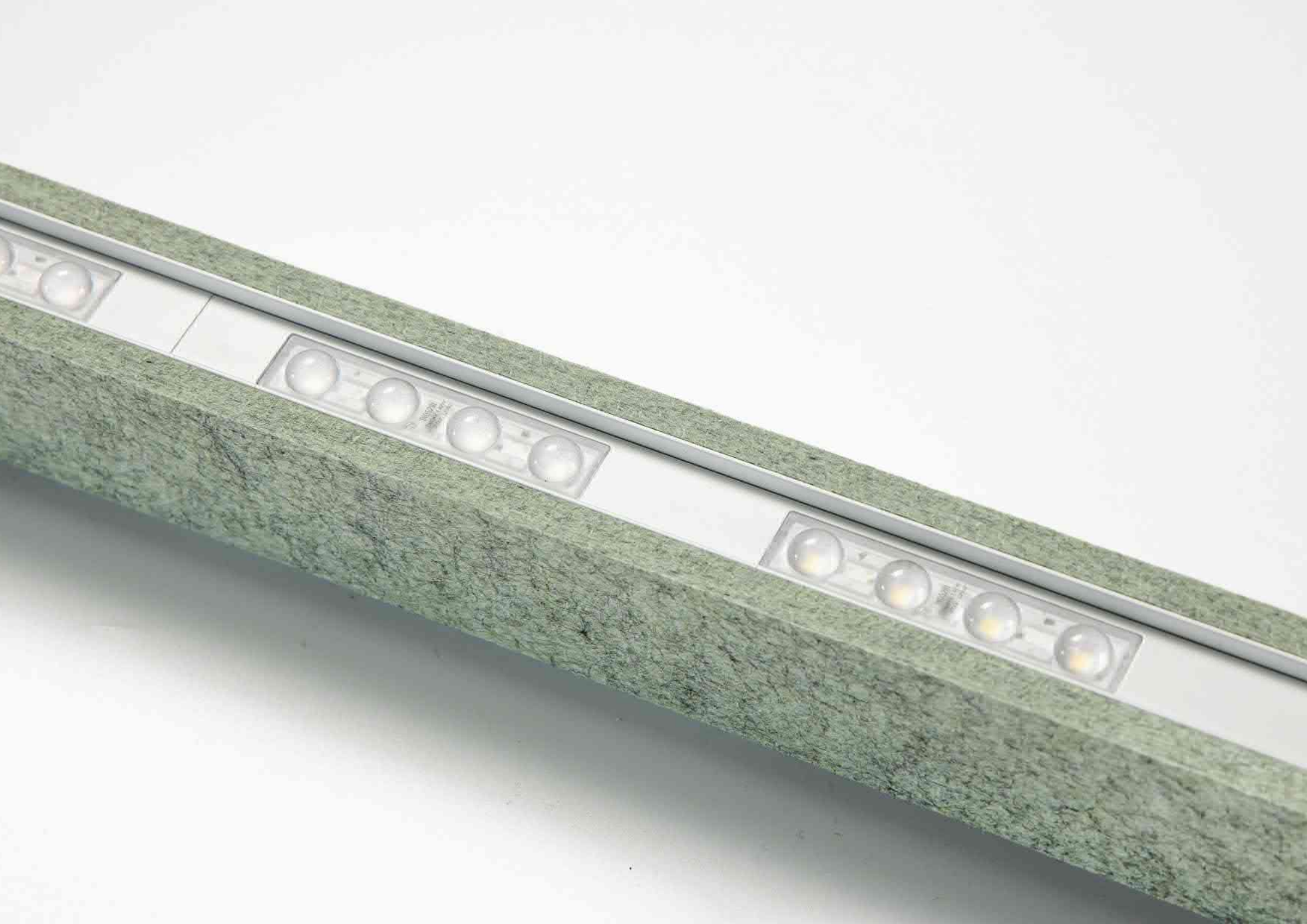


Create comfortable ambient lighting and glare-free homogeneous task lighting for public workstations

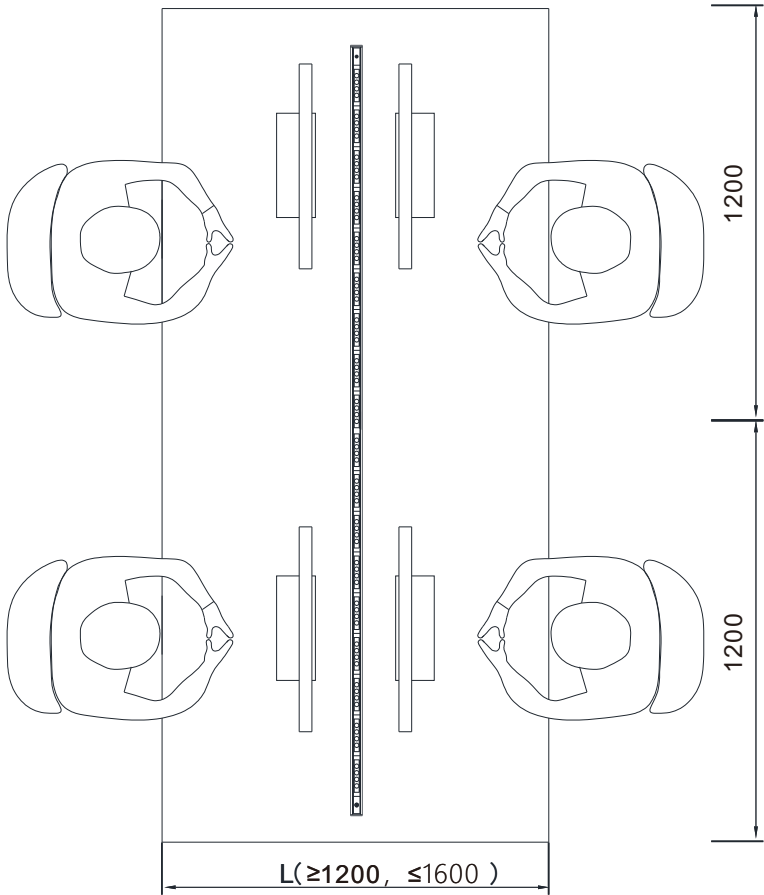
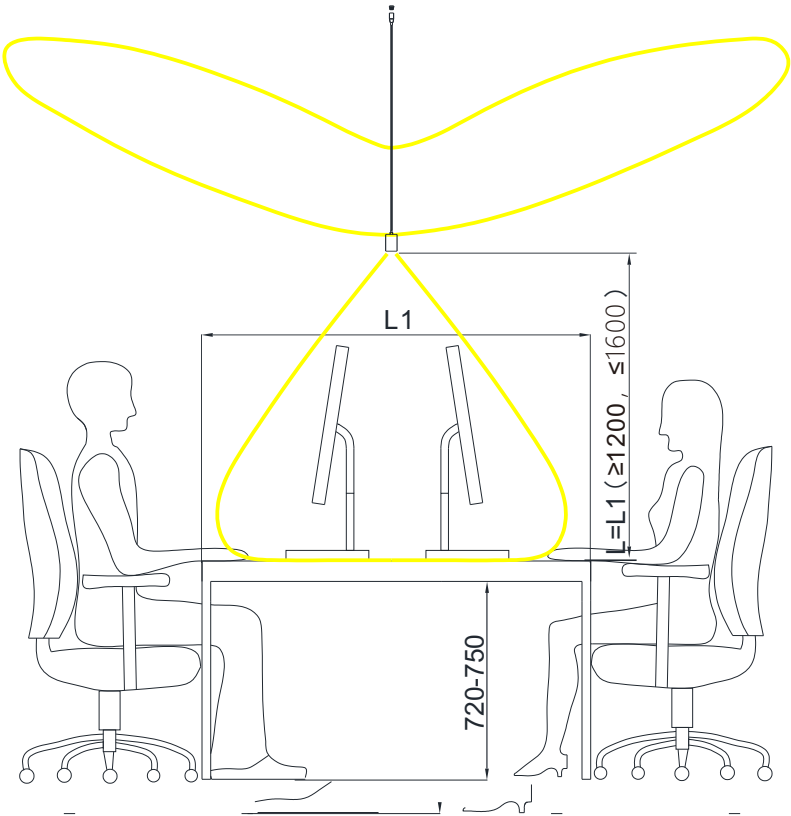






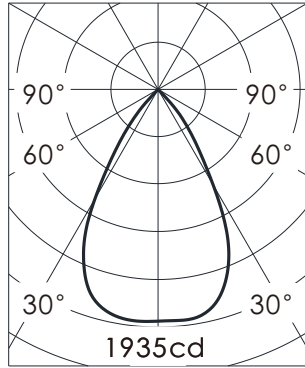


Conditions of Use



- 1.The reserved wire must be in the middle of the table
- 2.The distance between the lamp and the table is equal to the width of the table
- 3.The recommended length of the dining table is 1.2-1.5 meters
- 4.ERGONOMIC should be considered

Lighting distribution

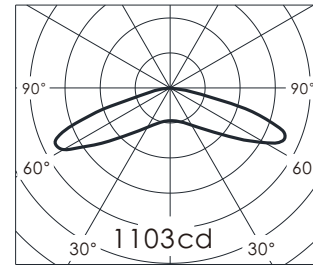


发光角度: 60°

高度 (m) 照度 (lx) 直径 (m)

1	1273	1.13
2	319	2.27
3	141	3.40
4	79.5	4.54
5	50.9	5.67

下照光光通量: 2160lm



发光角度: 160°

高度 (m) 照度 (lx) 直径 (m)

1	81.9	5.82
2	20.5	11.65
3	9.096	17.40

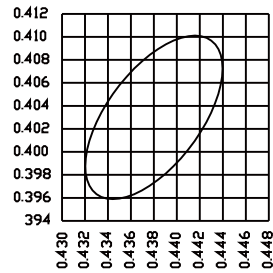
上照光光通量: 3750lm

Bin standard

ANSI C78.377

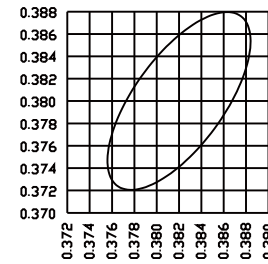
BIN:30A

Centred x	y	Nominal CCT (K)	CCT Range(s)	MacAdam ellipse
0.4338	0.403	3000	2865-2940	3SDCM



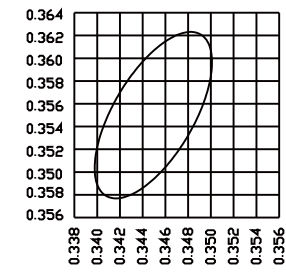
BIN:40A

Centred x	y	Nominal CCT (K)	CCT Range(s)	MacAdam ellipse
0.3818	0.3797	4000	3900-4175	3SDCM

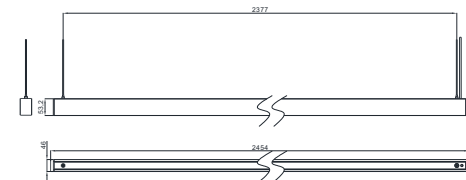
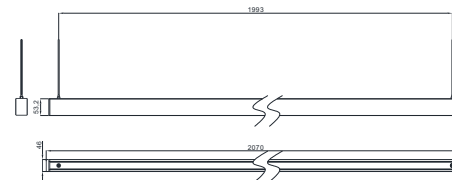
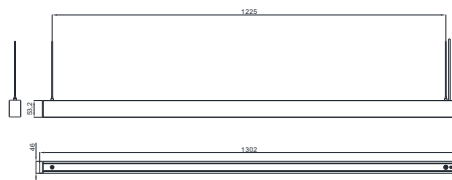


BIN:50A

Centred x	y	Nominal CCT (K)	CCT Range(s)	MacAdam ellipse
0.3447	0.3553	5000	4815-5175	3SDCM



Dimension



Electrical Characteristics

	1302	2070	2454
Voltage Range(V)		22~26	
Power /pc (W)	up 28.8 down 13.5	48 22.5	57.6 27
Driver		Integrated	
Dimable		Touchless	
Flicker		High frequency	

Optical Characteristics

Light distribution		Direct/Indirect	
Luminous lux (lm)	Indirect 3750 Direct 2160	6250 3600	7500 4320
lighting source(lm/w)		130	
Luminare(lm/w)		120	
Color quality		3000K: CRI93 Ra95 R9 68 Rf 90 Rg 101 4000K: CRI94 Ra96 R9 80 Rf 92 Rg 101 5000K: CRI93 Ra95 R9 68 Rf 90 Rg 101	
View angle		Indirect 160° Direct 60°	
MacAdam Step		3SDCM	
UGR		12	
Color temperature		3000K/4000K/5000K	

Physical Characteristics

Color		Dark red/Light gray /Light green PET	
Composition		Optic/Aluminum/PET/ LED	
Case		PET	
Dimension (mm)	1302×46×53.2	2070×46×53.2	2454×46×53.2
Net weight(kg)	2.13	3.54	4.25

Dependability

Warranty		5 years	
Lifespan > 50.000h(Tc=85°C)		L80B50-50.000h(Tc=85°C)	
IP		53	
Certificate		CE RoHS	
Luminare Class		II	
IK		IK03	
Temperature		-20 ~ +40°C	

Standards&Certificates

Integrating Sphere Test	IES LM79 (lumen,CCT,CRI,XY,SDCM,wave length)
Photometric Distribution Test	IES LM79
Aging Test	IES LM84&IES TM28
Ambient Temperature Test	UL1598&UL2388&IEC60598-1&IEC60598-2-21
High temperature High Humidity Test	UL1598&UL2388&IEC60598-1&IEC60598-2-21
Bending Test	500 cycles
Vibration Test	UL2388>750cycles
Tensile Test	Defined by Manufacturer
Drop Test	UL1598&UL2388&IEC60598-1&IEC60598-2-21
IK Test	IEC62262
Fire-Rating Test	UI94
UV Test	ASTMG154,ISO4892-3,UVA@340nm IEC60529
Salt Spray Test	IEC68-2-11
Thermal Shock Test	Non-lighting -40°C-55°C (25mins) with 5mins , 100 cycles
High temperature test	55°C

Packaging



	Qty	Dimension (mm)	Net weight(kg)	Gross Weight(kg)
Inner Box	1	1400*90*60	2.12	3.33

